

KYTOLA® purge flow meter model KPM is designed for industrial water purging applications and to withstand contaminated water.

The KPM comes with a built-in flow tube cleaner and the strong and compact design ensures maximum resistance to external impact.



- Flow rate water up to 3.0 L/min
- Freeze proof
- Built-in cleaner does not interfere with operation
- Excellent corrosion and heat resistance
- All models alarm-ready

PURGE FLOW METER KPM

FEATURES

- Solid construction
- Clog resistant flow control valve
- Built-in tube cleaner
- Mounting bracket

TYPICAL APPLICATIONS

- Water purging

OPTIONS

- Alarm sensor
- Check valve

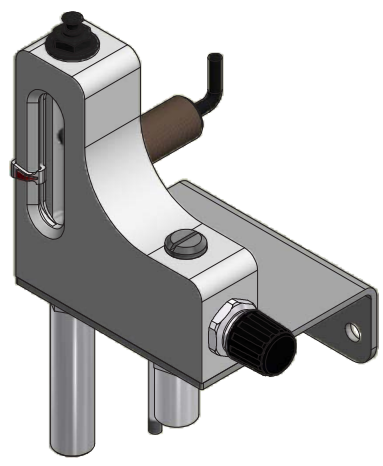
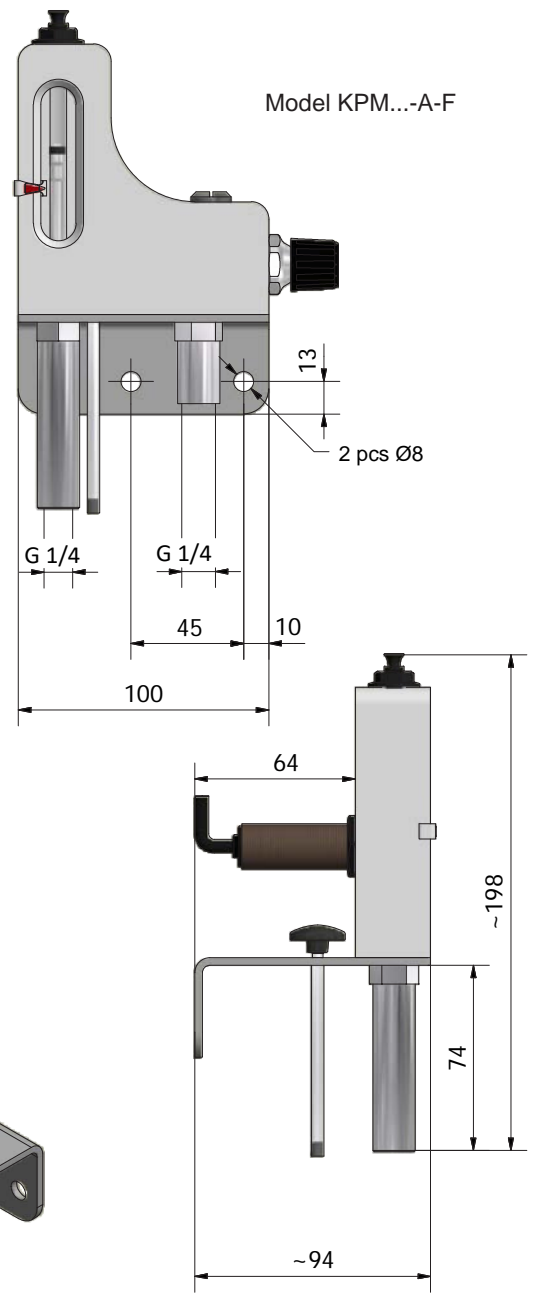
Model	KPM
Body	POM (*PVDF)
Flow tube	Polysulfone (PSU)
Metallic parts	AISI 316, float AISI 329
Seals	Viton®
Maximum pressure	20 bar
Minimum temperature	-20°C
Maximum temperature	+100°C
Connections	Female threads or compression fittings for straight tube
Weight	1.2 kg incl. package
	*) Special construction on request

KPM - -

Range Code		Adjustable Alarm Range		
Flow Rate				
0.025 – 0.4 L/min	0.025 – 0.1 L/min			04
0.05 – 1.0 L/min	0.1 – 0.45 L/min			1
0.1 – 3.0 L/min	0.3 – 1.2 L/min			3
0.25 – 6.0 USGPH	0.4 – 1.6 USGPH			6
1 – 15 USGPH	1.6 – 7.1 USGPH			15
2 – 50 USGPH	4.8 – 19 USGPH			50

Connectors	
G 1/4" female threads	A
NPT 1/4" female threads	B
10 mm compression fittings	C
3/8" compression fittings	D

Accessories	
Inductive prox. sensor 20 – 250 VAC/DC (ILK-M18-AB)	A
Inductive prox. sensor 10 – 55 VDC (ILK-M18-FR)	F
Intrinsically safe NAMUR sensor, 10 mm range (ILK-M18-N-10)	I
POM body	<i>standard, leave empty</i>
PVDF body	K
Integral check valve on outlet (not on KPM3 or KPM50)	CV



Copyright© Kytola Instruments Oy 2021. Dimensions and measurements are given within normal tolerances. Manufacturer reserves the right to changes without prior notification. File KPM_esc15_en Published 2/2021.



www.kytola.com



Kytola Instruments Oy
 Olli Kytölään tie 1
 FI-40950 Muurame, Finland
 Tel. +358 20 779 0690
 Fax +358 14 631 419
 E-mail info@kytola.com